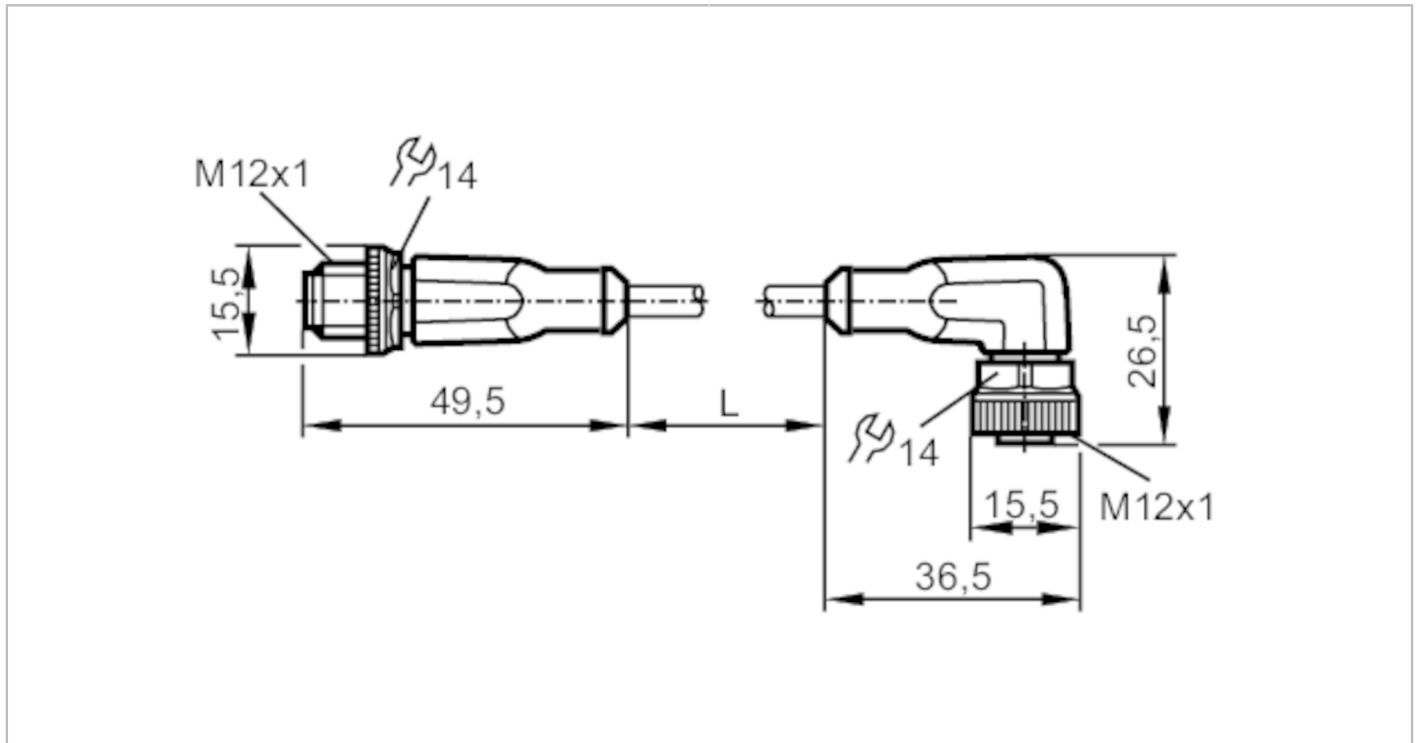


EVW054



Connection cable

VDOAH050SCS00,3T05STGH050SCS



| Application | |
|---|--|
| Special feature | Free from silicone; Halogen-free; Gold-plated contacts; Drag chain suitability |
| Application | welding applications |
| Free from silicone | yes |
| Electrical data | |
| Operating voltage [V] | < 60 AC/DC |
| Protection class | II |
| Max. current load total [A] | 4 |
| Overall current rating (UL) [A] | 3 |
| Operating conditions | |
| Ambient temperature [°C] | -25...90 |
| Note on ambient temperature | cULus: ...75 °C |
| Ambient temperature (moving) [°C] | -25...90 |
| Note on ambient temperature (moving) | cULus: ...75 °C |
| Storage temperature [°C] | -25...55 |
| Storage humidity [%] | 10...100 |
| Other climatic conditions for storage according to stated class | 1K22/ DIN 60721-3-1 |
| Protection | IP 65; IP 67; IP 68; IP 69K |
| Mechanical data | |
| Weight [g] | 48.5 |
| Materials | housing: TPU orange; Sealing: FKM |

EVW054



Connection cable

VDOAH050SCS00,3T05STGH050SCS

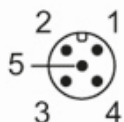
| | | |
|------------------------|---------------------------------|--|
| Material nut | brass, anti-spatter | |
| Drag chain suitability | yes | |
| Drag chain suitability | bending radius for flexible use | min. 10 x cable diameter |
| | travel speed | max. 3.3 m/s for a horizontal travel length of 5 m and max. acceleration of 5 m/s ² |
| | bending cycles | > 2 Mio. |
| | torsional strain | ± 180 °/m |

Remarks

| | |
|---------------|---------------------------------|
| Remarks | with 2 label holders 30 mm long |
| Pack quantity | 1 pcs. |

Electrical connection - plug

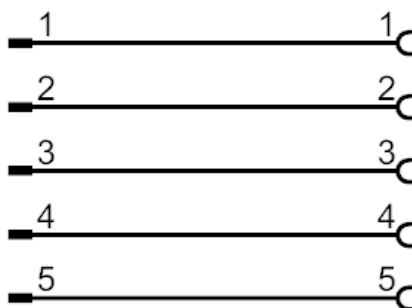
Connector: 1 x M12, straight; coding: A; Locking: brass, anti-spatter; Contacts: gold-plated; Tightening torque: 0.6...1.5 Nm



Electrical connection

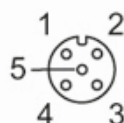
Cable: 0.3 m, PUR, Halogen-free, grey, Ø 5.1 mm; not irradiated (can be recycled); resistant to welding sparks; 5 x 0.34 mm² (42 x Ø 0.1 mm)

Connection



Electrical connection - socket

Connector: 1 x M12, angled; coding: A; Locking: brass, anti-spatter; Contacts: gold-plated; Tightening torque: 0.6...1.5 Nm



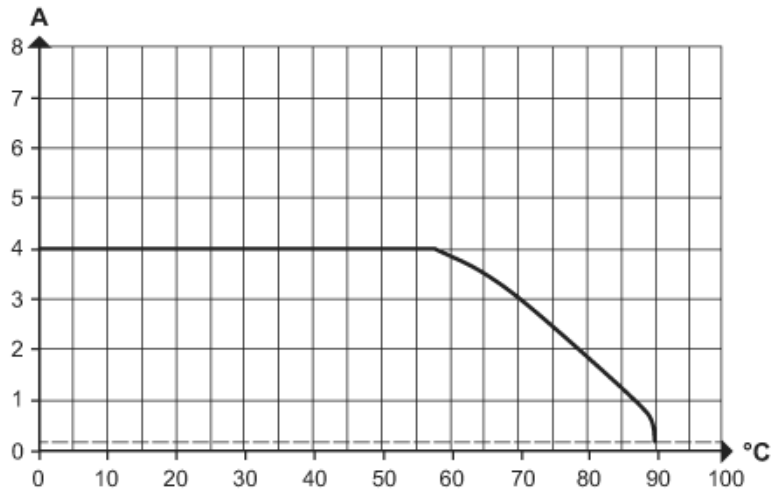
EVW054



Connection cable

VDOAH050SCS00,3T05STGH050SCS

Diagrams and graphs



Derating $I_{max} * 0.8$ DIN EN 60512-5-2

X Ambient temperature [°C]

Y Current [A]